



SERVICE PARTS LIST

BUL. 54-46-2053

ELECTROMAGNETIC DRILL STAND

REVISED BUL 54-46-2052	DATE Sept., '70
---------------------------	--------------------

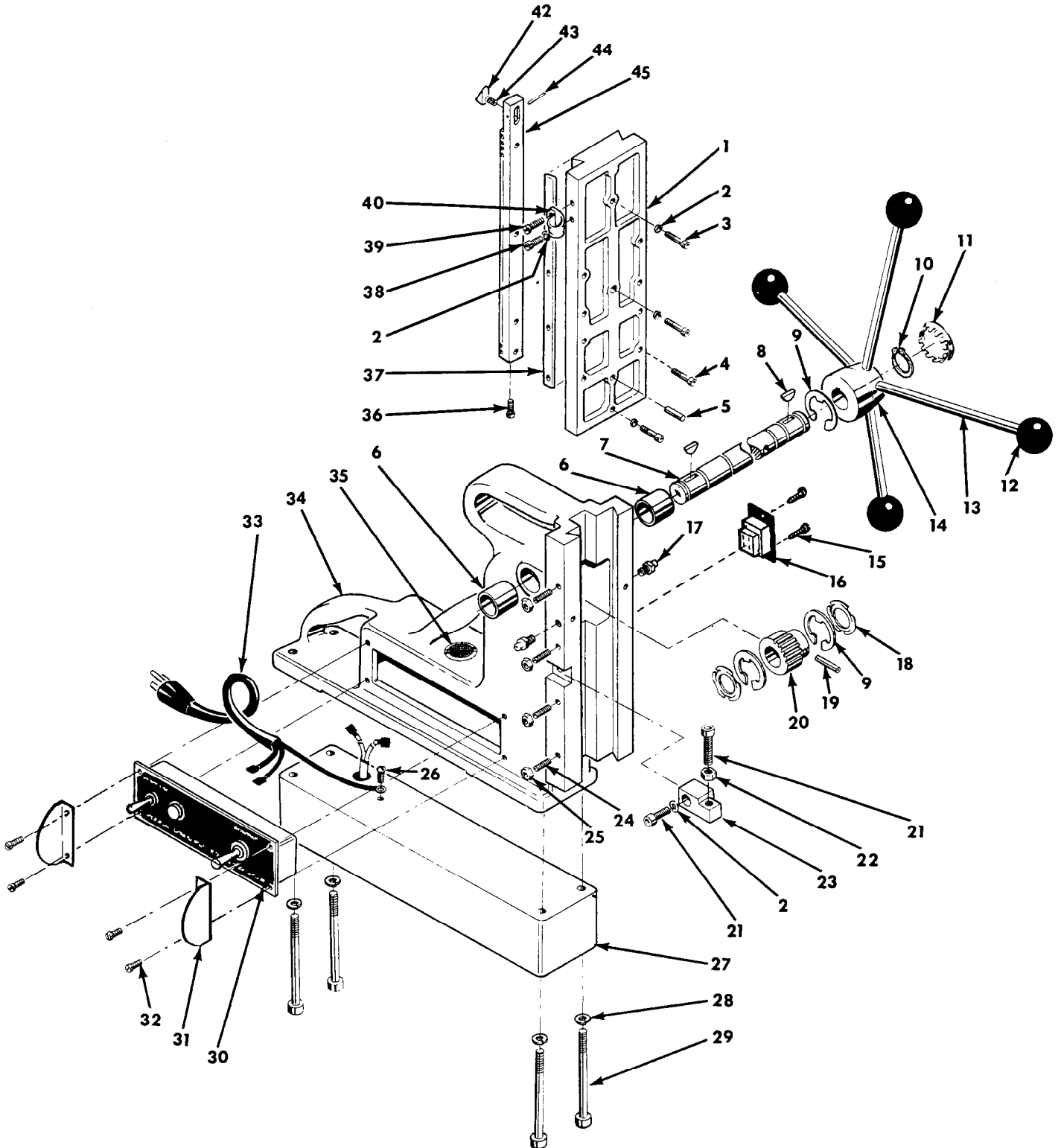
Catalog No. 4210

Starting
Serial No. **295-2156**

WIRING INSTR.

Both Model and Serial No. must be furnished to obtain correct parts.

230V MOTOR See Reverse Side For Information





SERVICE PARTS LIST

ELECTROMAGNETIC DRILL STAND

4210

230V Mounting
 23-81-0100 Transformer
 42-28-0170 Transformer Mtg. Block w/thru Hole
 42-28-0172 Transformer Mtg. Block w/tapped Hole
 06-81-0200 6-32 x 1 Binder Hd. Transformer Mtg. Scrs. (4)
 06-81-4555 6-32 x 2½ Round Hd. Mtg. Block Screws (2)

FIG.	PART NO.	DESCRIPTION OF PART	NO. REQ.	FIG.	PART NO.	DESCRIPTION OF PART	NO. REQ.
1	30-84-0151	Slide Housing		★ 26	06-81-4640	10-32x1/4 Rd. Hd. Screw	
2	06-97-4050	Lock Washer	(5)	27	42-20-0200	Magnetic Base	
3	06-75-3050	1/4-20x3/4 Skt. Screw	(3)	★ 28	06-97-4110	Lock Washer	(4)
4	06-75-3050	1/4-20x3/4 Skt. Screw	(4)	29	06-75-4215	5/16-18x2-1/4 Skt. Hd. Screw	(4)
★ 5	—	1/4x1-3/8 Roll Pin		★ 30	23-35-0101	Replacement Panel Assy.	
★ 6	42-40-0401	Bushing	(2)	31	43-54-0170	Panel Guard	(2)
7	45-08-0055	Shaft		★ 32	06-81-0550	6-32x5/16 Slot Dr. Screw	(4)
★ 8	06-42-2200	Woodruff Key	(2)	★ 33	22-64-0080	Cord Set	
★ 9	45-88-0640	Snap Ring	(3)	34	28-50-7921	Housing Support	
★ 10	34-60-1600	Retaining Ring		★ 35	45-83-0050	Vent	
★ 11	44-68-0180	Hub End Plug		36	06-83-2440	10-32x5/16 Hdls. Hex Screw	
12	43-98-0050	Plastic Knob	(4)	37	43-48-0070	Gib	
13	43-62-0050	Feed Handle	(4)	★ 38	06-75-2900	1/4-20x3/8 Skt. Hd. Screw	
14	43-78-0105	Hub		39	06-81-4650	10-32x3/8 Rd. Hd. Screw	
★ 15	06-81-4566	8-32x3/8 Rd. Hd. Screw	(2)	40	22-38-0100	Cable Clamp	
16	23-33-0170	Receptacle	(2)	41	44-80-0150	Rack Assembly (Includes Figs. 42 thru 45)	
17	43-33-0150	Grease Fitting	(2)	42	44-55-0100	Pawl	
18	45-88-0410	Spring Washer		43	40-50-7710	Spring	
19	06-65-1650	1/4x1-1/4 Pin		44	06-65-1535	1/8x3/4 Roll Pin	
20	32-60-1001	Pinion Gear		45	—	Rack	
★ 21	06-75-3100	1/4-20x1 Skt. Cap Screw	(2)	46	12-98-5500	Nameplate (Not Shown)	
★ 22	06-57-5000	1/4-20 Lock Nut		47	06-77-0625	6x1/4 Rd. Driv-in Screw (For Nameplate)	(2)
★ 23	42-28-0179	Stop Block					
24	06-83-2520	10-32x1 Hdls. Skt. Screw	(4)				
★ 25	06-57-4050	10-32 Lock Nut	(4)				